

EXTERNAL HINGE 40X40 MM 180°



Hinge with cast-in bolts and/or countersunk holes. Universal left and right mounting. Opening angle 180°. Nuts or washers are not supplied with the hinge, but may be ordered separately (see part numbers under Related products, Accessories on this page).



MATERIAL

Cast-in bolts: Stainless steel 303

Hinge: Zinc die cast, black texture powder coated

Nut: Steel, zinc plated

Pin: Stainless steel 303

Washer: Steel, zinc plated

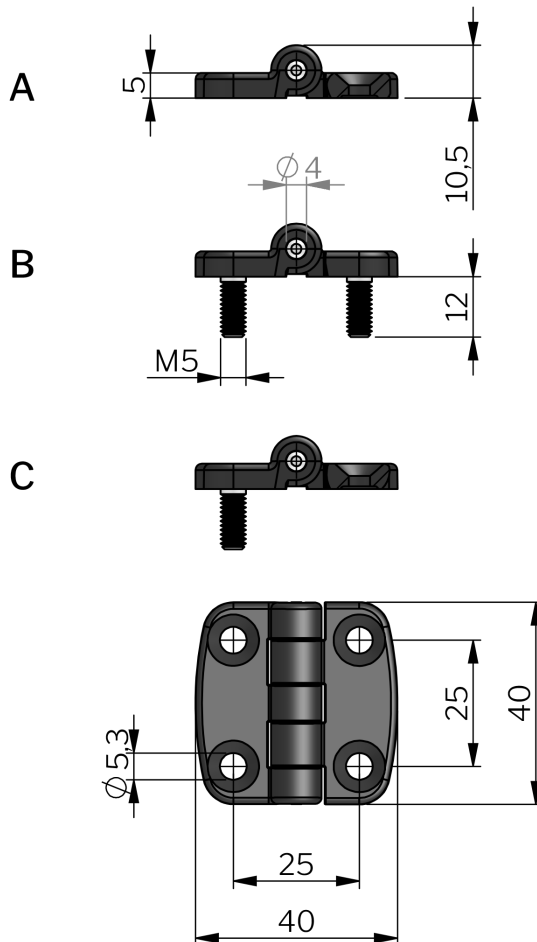
RELATED PRODUCTS

Accessories: 022138, 032155-5

Use the Index Code at industrilas.com

TECHNICAL INFORMATION

Standards: DIN EN 61373



P/N	Bolts	Holes	Drawing
3216-600404-30	-	4 x \varnothing 5,3	A
3216-610404-30	4 x M5	-	B
3216-620404-30	2 x M5	2 x \varnothing 5,3	C

Industrilas
— When access counts —